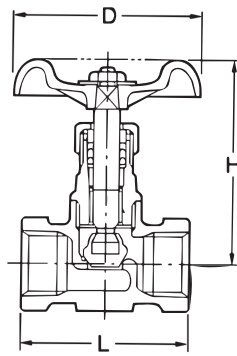


Fig. UCL



Class JIS10K



Pressure-Temperature Rating:
 0.98MPa (10kgf/cm²) : 180°C
 200psi. W.O.G. : 350°F S.P.

Materials

| Parts | Materials |
|---------------|---|
| Body | SCS 13A |
| Bonnet | SCS 13A |
| Stem | SUS 304 |
| Disc | SUS 304 |
| Gland | SUS 304 |
| Gland packing | Non Asbestos |
| Packing nut | SCS 13A |
| Handwheel | ZDC (1 ¹ / ₄ " ~ 1") / ADC (1 ¹ / ₄ "-2") |
| Name plate | A1050P |

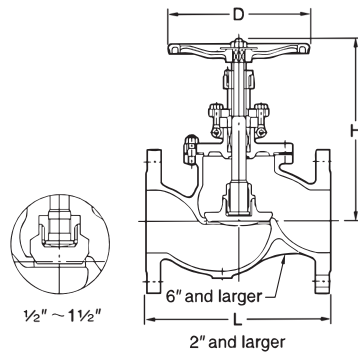
Dimensions

| size | inch | 1/4 | 3/8 | 1/2 | 3/4 | 1 | 1 1/4 | 1 1/2 | 2 | mm |
|----------|------|-----|-----|-----|-----|-----|-------|-------|-----|----|
| | mm | 8 | 10 | 15 | 20 | 25 | 32 | 40 | 50 | |
| L | mm | 44 | 48 | 52 | 60 | 72 | 80 | 90 | 100 | |
| H (OPEN) | mm | 68 | 68 | 68 | 93 | 100 | 122 | 138 | 153 | |
| D | mm | 55 | 55 | 55 | 60 | 70 | 80 | 90 | 100 | |

Fig. 10UPA



Class JIS10K



Pressure-Temperature Rating: JIS B2238 · ASME B 16.34

Materials

| Parts | Materials |
|-----------------|---------------------------|
| Body | SCS 13A |
| Bonnet | SCS 13A |
| Stem | SUS 304 |
| Disc | 1/2" ~ 2" 2 1/2" ~ 12" |
| Disc holder | SUS 304 |
| Gland | SUS 304 |
| Gland flange | SCS 13A |
| Gland packing | Non Asbestos |
| Gasket | Non Asbestos |
| Yoke bush | Ductile Ni-resist |
| Handwheel | FCD 400 |
| Gland bolt/nut | SUS 304/304 |
| Bonnet bolt/nut | SUS 304/304 |
| Name plate | A1050P |

- Body seats and/or disc seats can be optionally hard-face.
- Size 1 1/4" is only for 10K
- Size 10" & 12" are only Class 150

Hammer-blow type handwheel
 for 10" and 12"

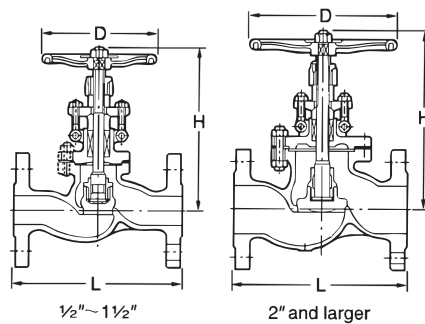
Dimensions

| size | inch | 1/2 | 3/4 | 1 | 1 1/4 | 1 1/2 | 2 | 2 1/2 | 3 | 4 | 5 | 6 | 8 | 10 | 12 | mm |
|----------|------|------|------|------|-------|-------|------|-------|------|-------|-------|-------|-------|-------|-------|----|
| | mm | 15 | 20 | 25 | 32 | 40 | 50 | 65 | 80 | 100 | 125 | 150 | 200 | 250 | 300 | |
| L | in. | 4.25 | 4.62 | 5.00 | 5.50 | 6.50 | 8.00 | 8.50 | 9.50 | 11.50 | 14.00 | 16.00 | 19.50 | 24.50 | 27.50 | |
| | mm | 108 | 117 | 127 | 140 | 165 | 203 | 216 | 241 | 292 | 356 | 406 | 495 | 622 | 698 | |
| H (OPEN) | in. | 6.6 | 6.8 | 7.5 | 8.1 | 9.3 | 9.8 | 11.5 | 12.8 | 15.0 | 17.8 | 22.0 | 35.4 | 38.9 | | |
| | mm | 168 | 173 | 190 | 205 | 235 | 248 | 291 | 325 | 380 | 453 | 559 | 900 | 987 | | |
| D | in. | 3.5 | 3.5 | 3.9 | 4.7 | 5.5 | 6.3 | 7.1 | 7.9 | 8.9 | 9.8 | 13.8 | 15.7 | 19.7 | 19.7 | |
| | mm | 90 | 90 | 100 | 120 | 140 | 160 | 180 | 200 | 225 | 250 | 350 | 400 | 500 | 500 | |

Fig. 20UPA



Class JIS20K



Pressure-Temperature Rating: JIS B2238 · ASME B 16.34

Materials

| Parts | Materials |
|-----------------|---------------------------|
| Body | SCS 13A |
| Bonnet | SCS 13A |
| Stem | SUS 304 |
| Disc | 1/2" ~ 1 1/2" 2" ~ 10" |
| Lock nut | 1/2" ~ 1 1/2" 2" ~ 10" |
| Gland | SUS 304 |
| Gland flange | SCS 13A |
| Gland packing | Non Asbestos |
| Gasket | Non Asbestos |
| Yoke bush | Ductile Ni-resist |
| Handwheel | FCD 400 |
| Gland bolt/nut | SUS 304/304 |
| Gland bolt pin | SUS 403 |
| Bonnet bolt/nut | SUS 304/304 |
| Name plate | A1050P |

- Body seats and/or disc seats can be optionally hard-face.

Hammer-blow type handwheel
 for 5" and 6"

Dimensions

| size | inch | 1/2 | 3/4 | 1 | 1 1/2 | 2 | 2 1/2 | 3 | 4 | 5 | 6 | 8 | 10 | mm |
|----------|------|------|------|------|-------|-------|-------|-------|-------|-------|-------|-------|-------|----|
| | mm | 15 | 20 | 25 | 40 | 50 | 65 | 80 | 100 | 125 | 150 | 200 | 250 | |
| L | in. | 6.00 | 7.00 | 8.00 | 9.00 | 10.50 | 11.50 | 12.50 | 14.00 | 15.75 | 17.50 | 22.00 | 24.50 | |
| | mm | 152 | 178 | 203 | 229 | 267 | 292 | 318 | 356 | 400 | 444 | 559 | 622 | |
| H (OPEN) | in. | 7.3 | 7.3 | 7.4 | 9.3 | 11.4 | 11.7 | 13.5 | 15.7 | 19.4 | 22.2 | 33.7 | 41.4 | |
| | mm | 186 | 186 | 187 | 236 | 289 | 297 | 343 | 398 | 493 | 564 | 857 | 1052 | |
| D | in. | 3.9 | 3.9 | 3.9 | 6.3 | 7.1 | 7.9 | 9.8 | 11.8 | 13.8 | 15.8 | 19.7 | 23.6 | |
| | mm | 100 | 100 | 100 | 160 | 180 | 200 | 250 | 300 | 350 | 400 | 500 | 600 | |