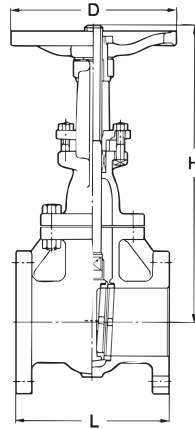


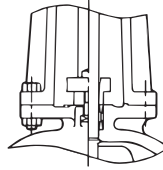
Fig. 125FCL (Bronze trim)
Fig. 125FCLS (13 Cr. trim)



Class 125



200 psi. Water, oil, Gas 65°C
 125 psi. Saturated steam
 350 psi. Hydrostatic shell test
 220 psi. Hydrostatic seat test
 80 psi. Pneumatic seat test



Size 10" to 16"

Bolted bonnet, outside screw & yoke, rising stem, solid wedge disc.

Materials

Parts	JIS materials	
	125FCL	125FCLS
Body	A126 Class B	
Bonnet	A126 Class B	
Stem	No.C37700	Type 403
Disc	A126 Class B	
Seat ring	Size 2" to 4"	CA-15
	Size 5" to 16"	F6a
Gland	Ductile iron	
Gland packing	Asbestos-free	
Gasket	Asbestos-free	
Gland bolt/nut	Carbon steel	
Bonnet bolt/nut	Carbon steel	
Handwheel	A126 Class B/Ductile iron(12" to 16")	
Yoke (Size10" to 16")	A126 Class B	
Yoke bolt/nut(Size10" to 16")	Carbon steel	

Dimensions

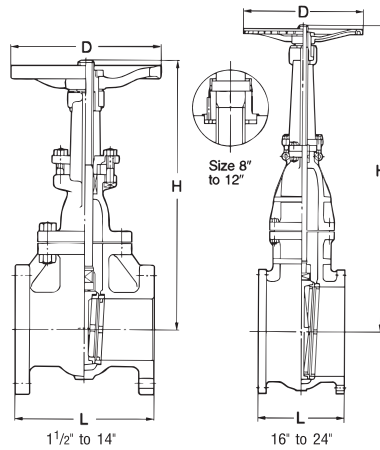
Valve size	mm	50	65	80	100	125	150	200	250	300	350	400
inch		2	2½	3	4	5	6	8	10	12	14	16
L Face-to face		178	190	203	229	254	267	292	330	356	381	406
H Height (OPEN)		328	382	436	532	627	726	919	1134	1363	1560	1850
D Handwheel Diameter		160	170	170	225	225	250	280	350	450	500	600

Fig. 10FCL (Bronze trim)
Fig. 10FCLS (13 Cr. trim)



JIS 10 K

Bolted bonnet, outside screw & yoke, rising stem, solid wedge disc.



Size 8" to 12"

1 1/2" to 14"

16" to 24"

120°C Non-shock water 1.37 MPa (14 kgf/cm²)
 120°C Water, oil, air 0.98 MPa (10 kgf/cm²)
 120°C Gas 0.20 MPa (2 kgf/cm²)
 Saturated steam..... 0.69 MPa (7 kgf/cm²)
 Hydrostatic shell test2.06 MPa (21 kgf/cm²)
 Hydrostatic seat test1.51 MPa (15.4 kgf/cm²)

Materials

Parts	JIS materials	
	10FCL	10FCLS
Body	FC200	
Bonnet	FC200	
Stem	C3771BD	SUS403
Disc	FC200	
Seat ring	Size 1 1/2" to 4"	BC6
	Size 5" to 24"	SCS1 SUS403
Gland	Size 1 1/2" to 14"	FCD-S
	Size 16" to 24"	SUS403
Gland packing	Asbestos-free	
Hand wheel	Size 1 1/2" to 8"	FC250
	Size 10" to 24"	FCD400
Gasket	Asbestos-free	
Bonnet bolt/nut	SS400	
Gland bolt/nut	SS400	
Yoke sleeve	BC6	
Yoke (Size10" to 24")	FC200	

Dimensions

Valve size	mm	40	50	65	80	100	125	150	200	250	300	350	400	450	500	600
inch		1½	2	2½	3	4	5	6	8	10	12	14	16	18	20	24
L Face-to face		165	180	190	200	230	250	270	290	330	350	381	406	432	457	508
H Height (OPEN)		306	343	389	462	547	648	759	956	1168	1363	1560	1795	1995	2230	2640
D Handwheel Diameter		160	170	170	200	250	280	300	350	400	450	500	600	600	680	760