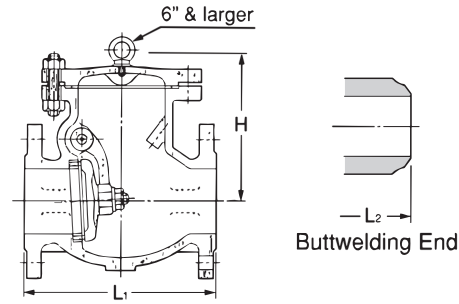


Fig. 150SCOS



Class 150



Bolted cover, Swing type disc.

Standard materials of parts

Parts	Materials
Body	ASTM A216 Gr.WCB
Cover	A105/ASTM A216 Gr.WCB
Disc	ASTM A182 Gr.F6a (1 1/2" ~ 6") ASTM A216 Gr.WCB+13Cr (8" & larger)
Disc nut	ASTM A194 Gr.8
Body seat ring	ASTM A105+HF
Cover bolt/nut	ASTM A193 Gr.B7/A194 Gr.2H
Arm	ASTM A105 (1 1/2" ~ 14") ASTM A216 Gr.WCB (16" & larger)
Gasket	Compressed asbestos
Plug	ASTM A576 Gr.1045

Dimensions

Valve Size	inch mm	mm																		
		1 1/2	2	2 1/2	3	4	5	6	8	10	12	14	16	18	20	22	24	26	28	30
L ₁	in.	6.50	8.00	8.50	9.50	11.50	13.00	14.00	19.50	24.50	27.50	31.00	34.00	38.50	38.50	42.00	51.00	51.00	57.00	60.00
	mm	165	203	216	241	292	330	356	495	622	698	787	864	978	978	1067	1295	1295	1448	1524
L ₂	in.	6.50	8.00	8.50	9.50	11.50	13.00	14.00	19.50	24.50	27.50	31.00	34.00	38.50	38.50	42.00	51.00	51.00	57.00	60.00
	mm	165	203	216	241	292	330	356	495	622	698	787	864	978	978	1067	1295	1295	1448	1524
H	in.	5.3	6.0	6.7	7.1	7.9	9.25	9.8	11.6	13.2	14.5	16.3	18.1	20.1	21.7	23.0	24.8	26.8	28.2	29.9
	mm	135	152	170	180	200	235	250	295	334	368	415	460	510	550	585	630	680	716	760