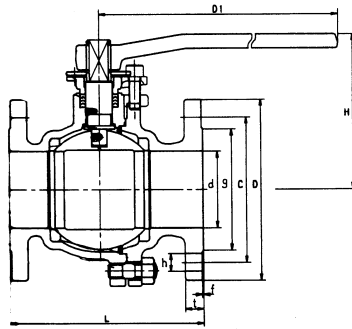


Fig. 10UTB/10UTBM



Class JIS10K



Materials

Parts	10UTB	10UTBM
Body	SCS13	SCS14
Cap	SCS13	SCS14
Stem	SUS 304	SUS 316
Ball	SUS 304	SUS 316
Seat	SCS13	SCS14
	HYPATITE PTFE	

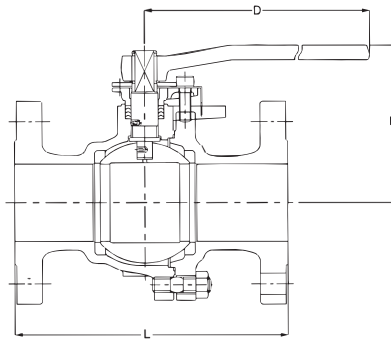
Dimensions

size	inch	1/2	3/4	1	1 1/4	1 1/2	2	2 1/2	3	4	5	6	8	10	mm
	mm	15	20	25	32	40	50	65	80	100	125	150	200	250	
Ball Bore		15	20	25	32	40	50	65	80	100	125	150	200	250	
L		110	120	130	140	165	180	190	200	230	300	340	450	533	
H		82	85	94	100	115	120	153	162	191	211	290	340	-	
D		130	130	160	160	230	230	400	400	460	460	1000	1500	-	
H ₁ (GEAR)											312	337	414	477	
D ₁ (GEAR)											310	310	360	500	

Fig. 20UTB/20UTBM



Class JIS20K



Materials

Parts	20UTB	20UTBM
Body	SCS13	SCS14
Cap	SCS13	SCS14
Stem	SUS 304	SUS 316
Ball	SUS 304	SUS 316
Seat	SCS13A	SCS14A
	HYPATITE PTFE	

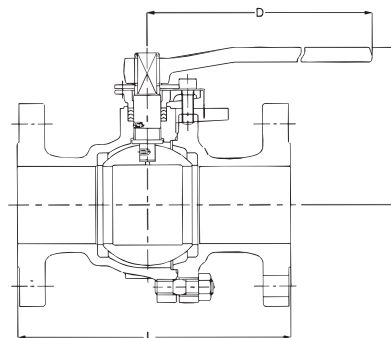
Dimensions

size	inch	1/2	3/4	1	1 1/2	2	2 1/2	3	4	6	8	mm
	mm	15	20	25	40	50	65	80	100	150	200	
Ball Bore		15	20	25	40	50	65	80	100	150	200	
L		140	152	165	190	216	241	283	305	403	502	
H		82	85	94	115	120	153	162	240	290	340	
D		130	130	160	230	230	400	400	750	1000	1500	
H ₁ (GEAR)										337	414	
D ₁ (GEAR)										310	360	

Fig. 300UTB/300UTBM



Class 300



Materials

Parts	300UTB	300UTBM
Body	CF 8	CF 8M
Cap	CF 8	CF 8M
Stem	304	316
Ball	304	316
Seat	CF 8	CF 8M
	HYPATITE PTFE	

Dimensions

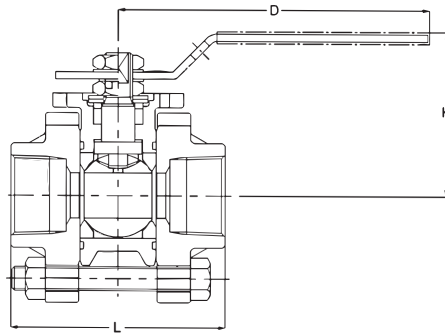
size	inch	1/2	3/4	1	1 1/2	2	2 1/2	3	4	6	8	mm
	mm	15	20	25	40	50	65	80	100	150	200	
Ball Bore		15	20	25	40	50	-	80	100	115	200	
L		140	152	165	190	216	-	283	305	403	502	
H		102	105	124	115	120	-	165	240	295	355	
D		130	130	160	230	230	-	400	750	1000	1500	
H ₁ (GEAR)										337	414	
D ₁ (GEAR)										310	360	

Fig. U3TZM



Class 1000

Regular port, 3-pce body design,
Threaded or socket welding ends



Dimensions

size	inch	1/2	3/4	1	1 1/2	2
	mm	15	20	25	40	50
Ball Bore		10	14	19	30	38
L		63	71	90	110	127
H		48	60	69	82	102
D		120	130	130	150	180

Features

- Blowout-proof stem
- Swing-away body for maintenance ease
- Choice of threaded ends:
 - Rc threads to BS 21 (Fig. U3TZM)

Test pressure

Shell (Hydrostatic): 10.34MPa (1500psi)
Seat (Air) : 0.55MPa (80psi)

Standard materials

Parts	Materials
Body	CF8M
Body cap	CF8M
Ball	316 or CF8M
Stem	316
Seat	HYPATITE® PTFE
Gland packing	PTFE
Gasket	PTFE
Handle	Plastic covered S.S.

End-to-end dimensions: KITZ standard.

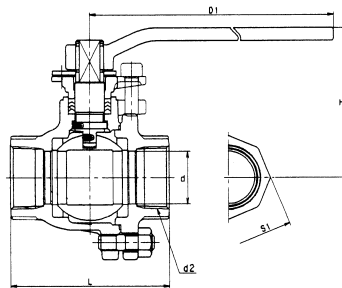
Valve operator

Lever operation
Oval handle as option

Fig. 10UT



Class JIS10K



Dimensions

size	inch	3/8	1/2	3/4	1	1 1/4	1 1/2	2	2 1/2	3
	mm	10	15	20	25	32	40	50	65	80
Ball Bore		10	15	20	25	32	40	50	65	80
L		62	65	80	90	110	120	140	160	182
H		71	82	85	94	98	114	121	153	162
D		130	130	130	160	160	230	230	400	400

Materials

Parts	Materials
Body	SCS13
Cap	SCS13
Stem	SUS 304
Ball	SUS 304
	SCS13
Seat	PTFE