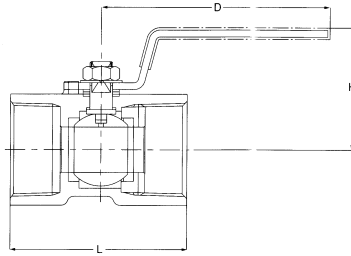


**Fig. 600SCTK**



**Class 600**

**Reduced port, Uni-body design, Threaded ends**



**Materials**

Parts	Material
Body	WCB
Stem	316
Ball	316
Seat	Reinforced PTFE

**Dimensions**

Valve Size	mm								
	inch	1/4	3/8	1/2	3/4	1	1 1/4	1 1/2	2
	mm	8	10	15	20	25	32	40	50
Bore		5	7	9.2	12.5	16	20	24.5	32
L		39	44	56.5	59	71	78	83	100
H		31	36	41	44	48	54	65	72
D		60	70	85	85	100	100	125	125

**Full port, Split body, Side entry design**

**Features**

- Antistatic device
- Blowout-proof stem
- Fire test certification\*
- Double "D" stem head
- High performance HYPATITE® PTFE ball seats
- Actuator mounting pad to KITZ standard

**Standard materials of parts**

Parts	Materials
Body	A105 (1/2"-1 1/2")*1 A216 Gr. WCB (2"-10")*1
Body cap	A105 (1/2"-1 1/2")*1 A216 Gr. WCB (2"-10")*1
Stem	A276 Type 304*2
Ball	A276 Type 304/A351 Gr.CF8*2
Gland	A351 Gr. CF8
Gland packing	PTFE
Handle*3	Ductile iron
Name plate	Aluminum
Washer	Carbon steel
Gasket	PTFE
Packing washer (1/2"-1")	A276 Type 316
Ball seat	HYPATITE® PTFE
Cap nut	A194 Gr. 2H
Cap bolt	A193 Gr. B7
Gland bolt	Cr-Mo steel
Thrust washer (1 1/2"-10")	Reinforced PTFE
Snap ring	Carbon steel
Stopper	A276 Type 304
Stem bearing	Reinforced PTFE
Handle bolt	Carbon steel
Spring & pin (2 1/2"-10")	A313 & A276 Type 316
Spring (1/2"-2")	A313 Type 316

\*1 A350 or A352 low-temperature service materials are optionally available.

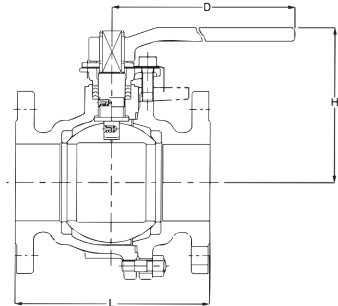
\*2 CF8M or Type 316 is optionally available for ball & stems.

\*3 Bar type handle is used for 6" and 8" Worm gear operators are used for 10"

**Fig. 150SCTB**



**Class 150**



**Dimensions**

Valve Size	mm												
	inch	1/2	3/4	1	1 1/2	2	2 1/2	3	4	5	6	8	10
	mm	15	20	25	40	50	65	80	100	125	150	200	250
Ball Bore		15	20	25	40	50	65	80	100	125	150	200	250
L		108	117	127	165	178	190	203	229	356	394	457	533
H		102	105	124	115	120	155	165	200	220	295	355	Gear operation
D		130	130	160	230	230	400	400	460	460	1000	1500	Gear operation

**Valve operator**

- 1/2"-8": Lever operation
- 6"-8": Optional gear operation
- 10": Standard gear operation

**Test pressure**

- Shell (Hydrostatic): 3.10MPa (450psi)
- Seat (Air): 0.55MPa (80psi)

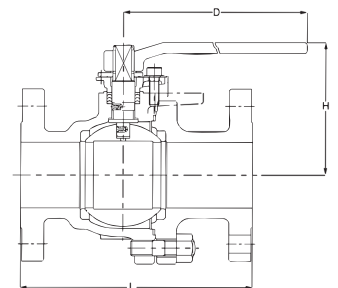
**Options**

- ★ Flexible graphite packing and gasket
- Ball and stem to CF8M (316)

**Fig. 300SCTB**



**Class 300**



**Dimensions**

Valve Size	mm										
	inch	1/2	3/4	1	1 1/2	2	2 1/2	3	4	6	8
	mm	15	20	25	40	50	65	80	100	150	200
Ball Bore		15	20	25	40	50	65	80	100	150	200
L		140	152	165	190	216	241	283	305	403	502
H		102	105	124	115	120	155	165	240	295	355
D		130	130	160	230	230	400	400	750	1000	1500

**Valve operator**

- 1/2"-8": Lever operation
- 6"-8": Optional gear operation

**Test pressure**

- Shell (Hydrostatic): 7.76MPa (1125psi)
- Seat (Air): 0.55MPa (80psi)

**Options**

- ★ Flexible graphite packing and gasket
- Ball and stem to CF8M (316)

**Gear Operation**

Class	150	300	Gear Operator			
			H	D	C	A
Valve Size (inch)	6	6	337	310	165	65.5
	8	8	414	360	210	88.5
	10	-	477	500	363	93.5