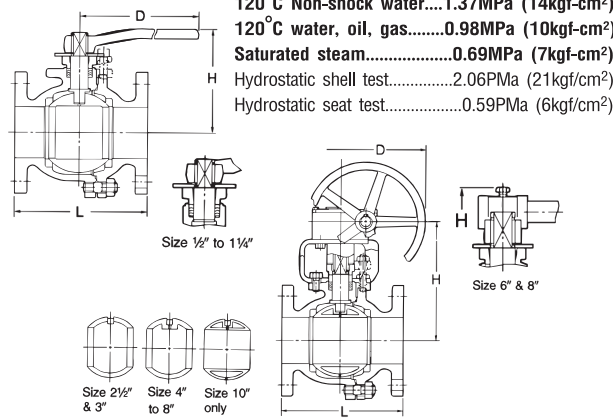


**Fig. 10FCTB**



**Dimensions**

Valve size	mm inch	15 1/2	20 3/4	25 1	32 1 1/4	40 1 1/2	50 2	65 2 1/2	80 3	100 4	125 5	150 6	200 8	250 10
Bore diam.		15	20	25	32	40	50	65	80	100	125	150	200	250
L		110	120	130	140	165	180	190	200	230	300	340	450	533
H		102	105	124	130	115	120	155	165	200	220	295	355	477
D		130	130	160	160	230	230	400	400	460	460	1000	1500	500

**Materials**

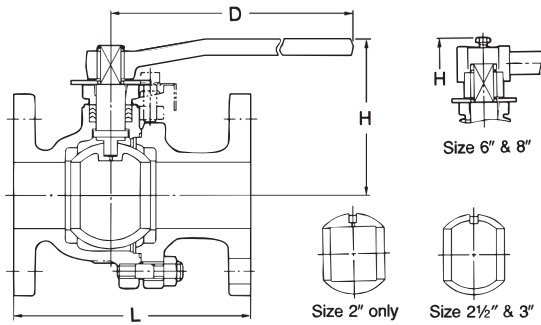
Parts	JIS materials
Body	FC200
Body cap	FC200
Stem	SUS403
Ball	SCS13A/SUS304
Gland	FCD400
Gland packing	PTFE
Packing washer (1/2" to 1 1/4")	SUS304
Ball seat	PTFE*
Thrust washer	Reinforced PTFE
Handle (1/2" to 5") (6" to 8")	FCD400 SGP

\* HYPAPITE PTFE or C/F PTFE is optionally available.

\*\*Bar type handle is used for 6" & larger.

Flanged ends	JIS B2239
F-F dimension	KITZ Std.
Wall thickness	KITZ Std.

**Fig. 125FCTB**



**Dimensions**

Valve size	mm inch	50 2	65 2 1/2	80 3	100 4	150 6	200 8
Bore diam.		50	65	80	100	150	200
L		178	190	203	229	394	457
H		120	155	165	200	295	355
D		230	400	400	460	1000	1500

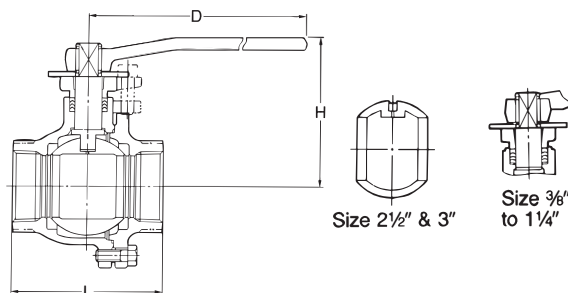
120 °C Non-shock water....1.37MPa (14kgf-cm<sup>2</sup>)  
 120 °C water, oil, gas.....0.98MPa (10kgf-cm<sup>2</sup>)  
 Saturated steam.....0.69MPa (7kgf-cm<sup>2</sup>)  
 Hydrostatic shell test.....2.06PMa (21kgf/cm<sup>2</sup>)  
 Hydrostatic seat test.....0.59PMa (6kgf/cm<sup>2</sup>)

**Materials**

Parts	ASTM materials
Body	A126 Class B
Body cap	A126 Class B
Stem	A276 Type 403
Ball	A351 Gr. CF8/Type 304
Gland	Ductile iron
Gland packing	PTFE
Ball seat	PTFE
Thrust washer	Reinforced PTFE
Handle (2" to 4") (6" to 8")	Ductile iron Carbon steel

Flanged ends	ASME B16.1
F-F dimension	ASME B16.10
Wall thickness	KITZ Std.

**Fig. 10FCT**



**Dimensions**

Valve size	mm inch	10 3/8	15 1/2	20 3/4	25 1	32 1 1/4	40 1 1/2	50 2	65 2 1/2	80 3
Bore diam.		10	15	20	25	32	40	50	65	80
L Face-to face		72	80	85	95	120	120	140	160	182
H Height		71	102	105	125	130	115	120	155	165
D Leverhandle		130	130	130	160	160	230	230	400	400

120 °C Non-shock water....1.37MPa (14kgf-cm<sup>2</sup>)  
 120 °C water, oil, gas..... 0.98MPa (10kgf-cm<sup>2</sup>)  
 Saturated steam..... 0.69MPa (7kgf-cm<sup>2</sup>)  
 Hydrostatic shell test..... 2.06PMa (21kgf/cm<sup>2</sup>)  
 Hydrostatic seat test..... 0.59PMa (6kgf/cm<sup>2</sup>)

**Materials**

Parts	JIS materials
Body	FC200
Body cap	FC200
Stem	SUS403
Ball	SUS304/SCS13A
Gland	FCD400
Gland packing	PTFE
Handle	FCD400
Gasket	PTFE
Packing washer (3/8" to 1 1/4")	SUS304
Ball seat	PTFE
Cap bolt	SS400
Gland bolt	SCM435
Thrust washer	Reinforced PTFE